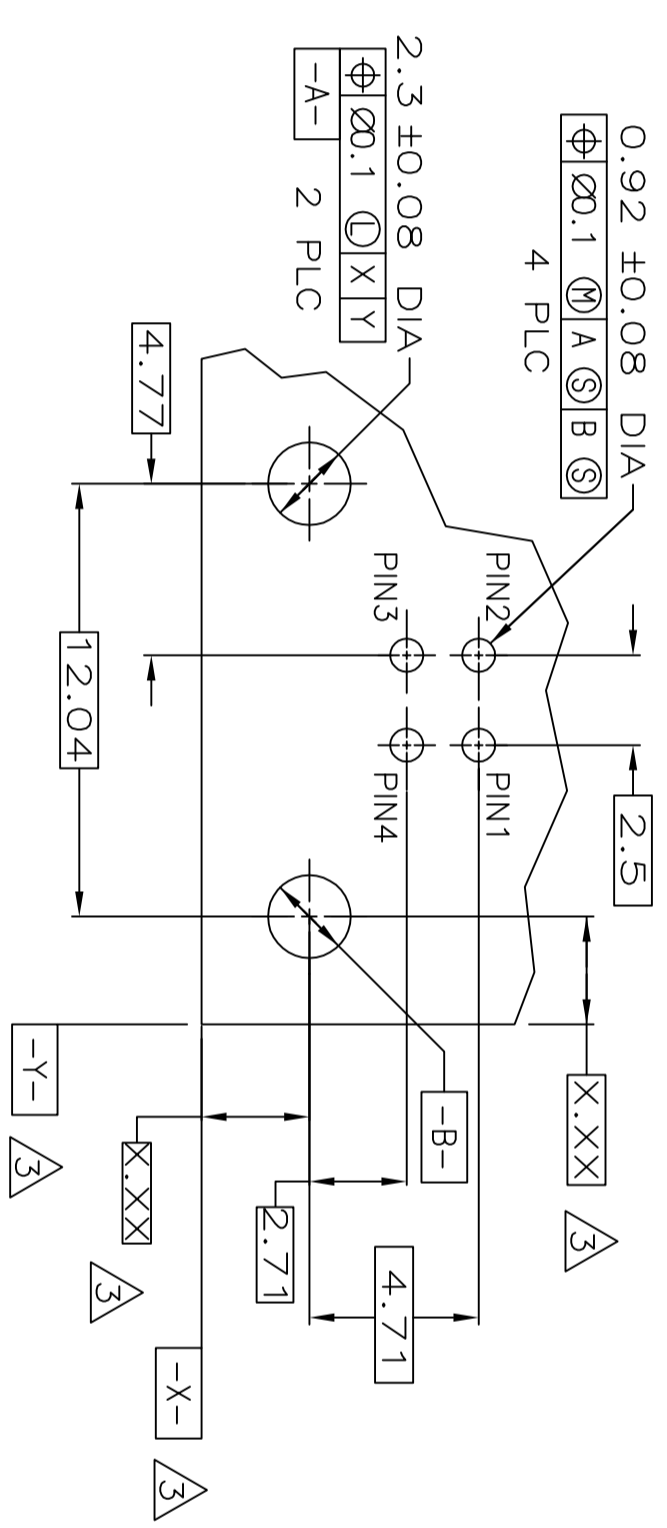


PC BOARD MOUNTING DIMENSIONS



**MATERIAL:**  
SHELL & CONTACTS: COPPER ALLOY.  
HOUSING: UL 94V-0 RATED, THERMOPLASTIC, BLACK.

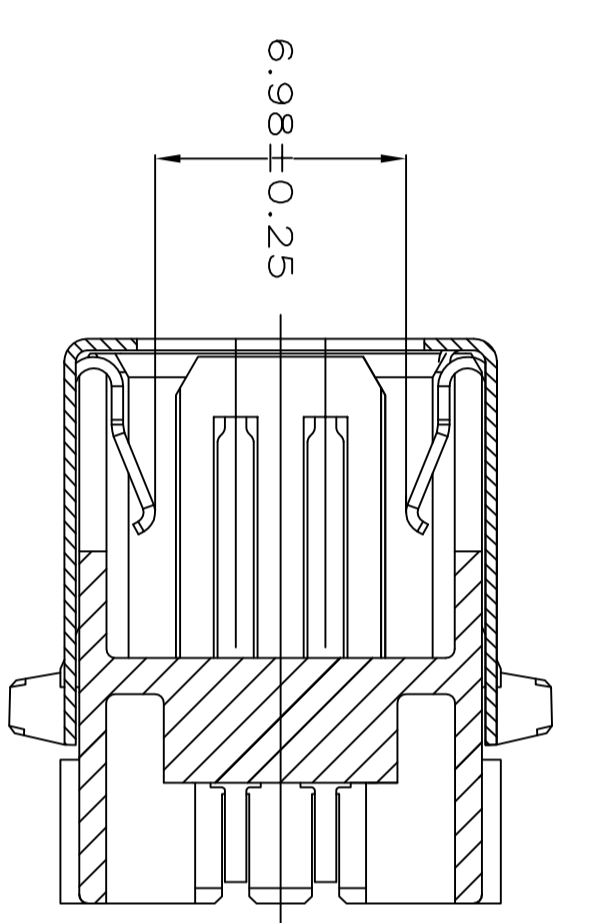
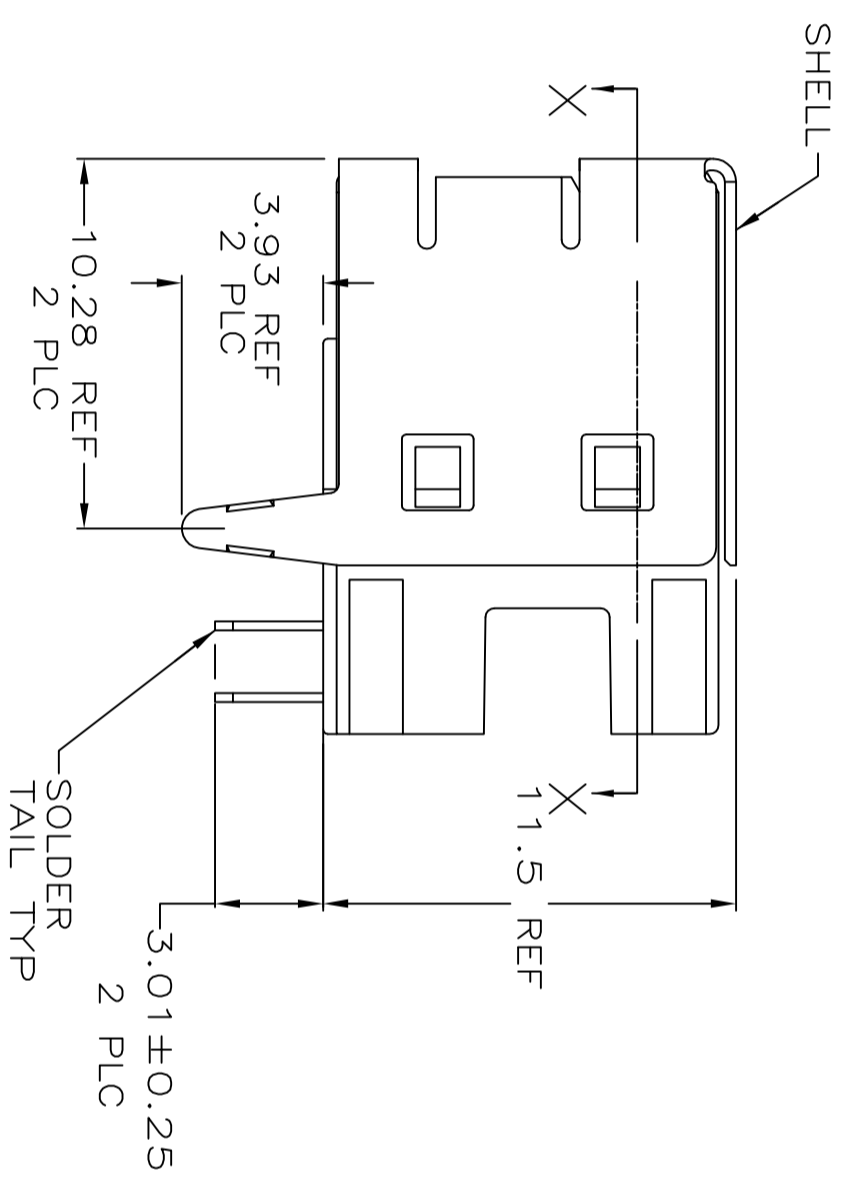
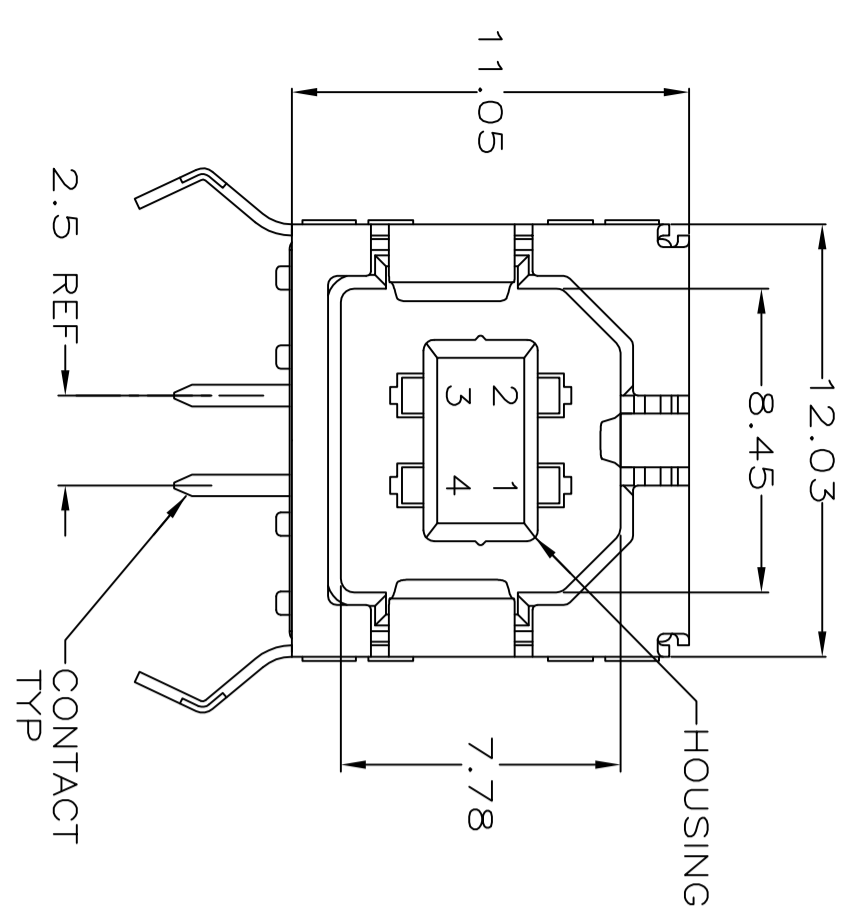
**PLATING:**  
CONTACTS: 0.076µm MINIMUM GOLD OVER 0.76µm MINIMUM PALLADIUM-NICKEL ON MATING AREA.  
3.8µm MINIMUM MATTE TIN ON SOLDER TAILS.  
BOTH OVER 1.27µm MINIMUM NICKEL.  
CONTACT ALTERNATE PLATING: 0.76µm MIN GOLD ON MATING AREA, 3.8µm MIN MATTE TIN ON SOLDER TAILS, BOTH OVER 1.27µm MIN NICKEL.  
SHELL: 2.0~5.0µm MINIMUM TIN.

**DATUM AND BASIC DIMENSIONS ESTABLISHED BY CUSTOMER.**

**RECOMMENDED PC BOARD THICKNESS OF 1.57.**

**PLATING:**  
CONTACTS: 0.76µm MINIMUM GOLD ON MATING AREA, 3.8µm MINIMUM MATTE TIN ON SOLDER TAILS, BOTH OVER 1.27µm MINIMUM NICKEL.  
SHELL: 2.0~5.0µm MINIMUM TIN.

**RECOMMEND:**  
MATING FORCE: 35N MAX.  
UNMATING FORCE: 13N MIN.  
RECOMMENDED MATING PLUG SHOULD MEET USB2.0 STANDARD.



6	NO	BLACK	292304-5
5	NO	BLACK	292304-4
2	YES	BLACK	292304-3
2	YES	NATURAL	292304-2
2	NO	BLACK	292304-1
PLATING		HIGH TEMPERATURE COMPATIBLE	PART NUMBER

<p>THE DIMENSIONS TO CONTACTS AND TO SOLDER TAILS ARE INDICATED. DIMENSIONS TO HOUSING AND TO SOLDER TAILS SHOULD BE COMPLETED FOR THE LATEST REVISION.</p>			
DIMENSIONS:		TOLERANCES UNLESS OTHERWISE SPECIFIED:	
mm		mm	
0 PLC	±0.1	0 PLC	±0.1
1 PLC	±0.1	1 PLC	±0.1
2 PLC	±0.1	2 PLC	±0.1
3 PLC	±0.1	3 PLC	±0.1
4 PLC	±0.1	4 PLC	±0.1
ANGLES	±	ANGLES	±
MATERIAL		FINISH	
1		2	
CUSTOMER DRAWING			
<p>APPROVED: J.JIANG 23FEB04</p> <p>CHK: S.YAO 23FEB04</p> <p>DESIGNED: S.YAO 23FEB04</p> <p>PRODUCT SPEC: TYSASKAKI</p> <p>APPLICATION SPEC: UNIVERSAL SERIAL BUS, LEAD FREE VERSION</p>		<p>NAME: Tyco Electronics</p> <p>RECEPTACLE ASSEMBLY, RIGHT ANGLE, 4 POSITION, THRU-HOLE, TYPE B</p> <p>UNIVERSAL SERIAL BUS, LEAD FREE VERSION</p> <p>SIZE: A2</p> <p>CAGE CODE: 00779</p> <p>DRAWING NO: 292304</p> <p>SCALE: 5:1</p>	
WEIGHT		DRAWING NO	
-		292304	
SCALE: 5:1		SHEET 1 OF 1	
REV D2		REV D2	